



PASSPORT® Vertical Platform Lift

Technical Specifications

MODEL #:	PL52SP3651	PL52TP3860	PL72SP3651	PL72TP3860
TOWER WEIGHT:	193 lbs (87.5 kg)	193 lbs (87.5 kg)	224 lbs (102 kg)	224 lbs (102 kg)
PLATFORM WEIGHT:	168 lbs (76 kg)	160 lbs (73 kg)	168 lbs (76 kg)	160 lbs (73 kg)
NET WEIGHT:	361lbs (163.5 kg)	353 lbs (160.5kg)	392 lbs (178 kg)	384 lbs (175 kg)
TOWER HEIGHT WITH LEGS:	76-1/8" (1931 mm)	76-1/8" (1931 mm)	96-1/8" (2439 mm)	96-1/8" (2439 mm)
TOWER WIDTH WITH LEGS:	33-3/8" (84 cm)	33-3/8" (84 cm)	33-3/8" (84 cm)	33-3/8" (84 cm)
HEIGHT AT MAXIMUM TRAVEL:	97-9/16" (2464 mm)	97-9/16" (2464 mm)	117.75" (2997 mm)	117.75" (2997 mm)
PLATFORM "USEABLE" SIZE:	50.75" x 36" (1289 mm x 914 mm)	59.75" x 38" (1518 mm x 914 mm)	50.75" x 36" (1289 mm x 914 mm)	59.75" x 38" (1518 mm x 914 mm)
FOOTPRINT (RAMP DEPLOYED): SEE "DIMENSIONS" SECTION ALSO	76" X 52" (1930 mm x 1320 mm)	85" X 52" (2159 mm x 1320 mm)	76" X 52" (1930 mm x 1320 mm)	85" X 52" (2159 mm x 1320 mm)
LIFTING HEIGHT:	52" (1231 mm) landing-to-landing	52" (1231 mm) landing-to-landing	72" (1828.8 mm) landing-to-landing	72" (1828.8 mm) landing-to-landing
WARRANTY:	2-Year Limited. Visit www.ezaccess.com for complete warranty details.			

NOTE: Weights and dimensions are approximate and subject to change.

PERFORMANCE STANDARDS:	B44.1 / ASME A17.5, ASME 18.1-2008 (Sec 5)
MAXIMUM RATED LOAD:	750 lbs. (340 kg)
NUMBER OF PASSENGERS:	Two (one occupant with mobility device, plus one caregiver). Not to exceed <i>Maximum Rated Load</i>
MAIN DRIVE ELECTRICAL:	24 VDC supplied by two 12 VDC-12 Ah sealed lead-acid batteries, 2 amp smart charger
CONTROL CIRCUIT ELECTRICAL:	12 VDC
AC INPUT:	120 VAC, .6 amps
AC POWER CORD LENGTH:	12-ft. (3.7 m)
PRIMARY DRIVE:	24 VDC worm drive; .58 hp; 28:1 reduction ratio; 96 rpm output speed rating
FINAL DRIVE:	1" diameter Hi-lead® drive screw with bronze nut and bronze safety back-up nut
DRIVE MOTOR CONTROL:	24 VDC reversing relay, 12 VDC control input, 30-amp auto reset circuit breaker
BRAKING:	Worm drive gear motor
STANDARD INTERFACE CONTROLS:	12 VDC; separate, continuous, low pressure large mushroom-head control switches for "UP/DOWN" operation; onboard LED indicator lights, including diagnostics for quick and easy reference; user adjustable control box; keyed operation
EMERGENCY STOP:	Red, sealed, 1.5" diameter mushroom-head, push button
PLATFORM TRAVEL SPEED:	10 ft/min
NUMBER OF STOPS/LANDINGS:	Two stops (upper and lower landings)
TOWER CONSTRUCTION:	Welded aluminum extrusion
CARRIAGE CONSTRUCTION:	Welded aluminum, 1.9" (48.3 mm) MDS nylon 6/6 rollers, and UHMW polyethylene low friction buffers
PLATFORM CONSTRUCTION:	Welded aluminum, totally enclosed, removable aluminum framed side enclosures with coated steel filler panels
UNDER PLATFORM SAFETY:	Formed aluminum safety pan with obstruction detector, designed to stop lift upon contact with an obstacle. Takes less than 15 lbs. (6.8 kg) of pressure to activate safety pan stop
GUARD RAMP:	Self-actuating 24" (610 mm)
EMERGENCY LOWERING:	Manual hand-crank lowering capability
LIMIT SWITCHES:	Upper and lower primary and secondary limit switch triggering locations are adjustable via movable cams
WEIGHT OF TOP LANDING GATE:	50 lbs. (23 kg)
FLOOR ATTACHMENT:	Anchor-ready 6000 Series Aluminum
MOUNTING SURFACE RECOMMENDED:	A level, ≥ 3,500 psi concrete pad with a 4" minimum thickness
DRIVE SCREW LUBRICATION:	DUPONT™ White Lithium Grease With TEFLON® Fluoropolymer Aerosol (or equivalent)

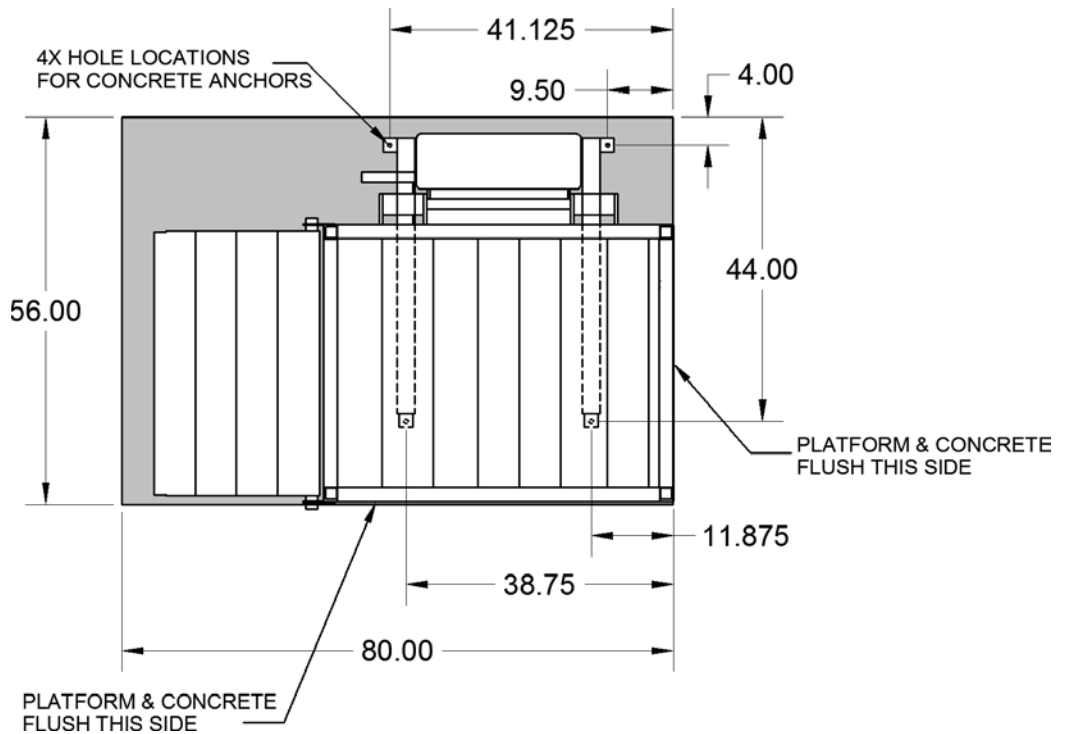
CONCRETE PAD SPECIFICATIONS

NOTE: The pad dimensions in FIG. 2 can be used as a universal pad (it will work for the PL52SP3651, PL72SP3651, PL52TP3860 and PL72TP3860 VPL lifts). This is an important consideration should you decide to change to a turn platform in the future.

DIMENSIONS

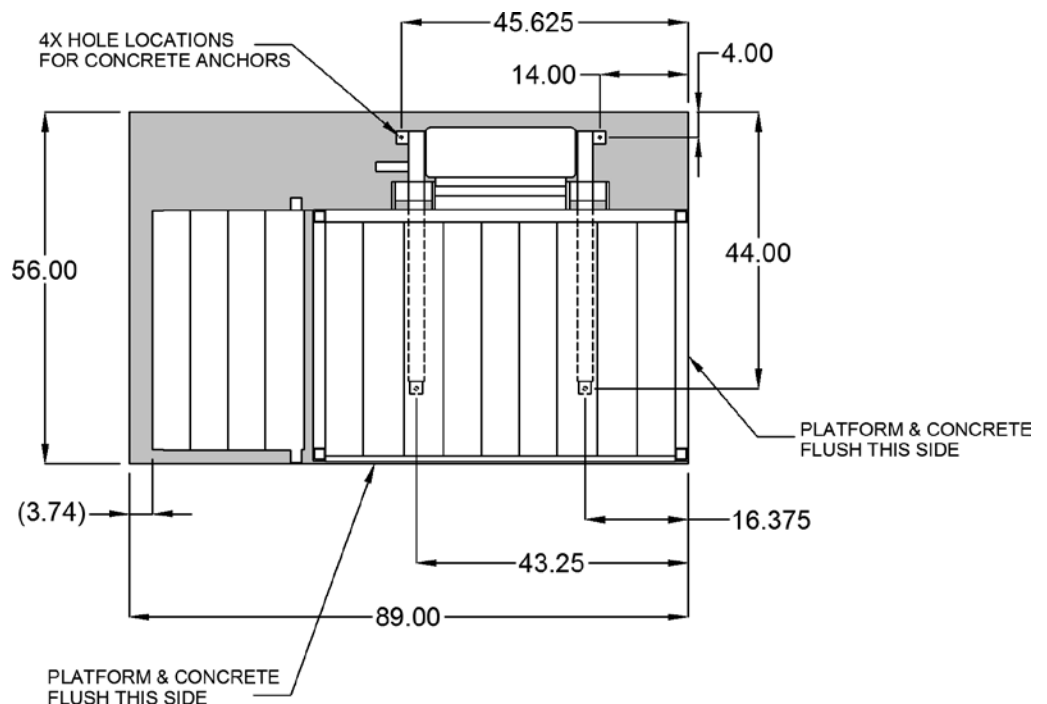
CONCRETE PAD DIMENSIONS (INCHES) FOR: PL52SP3651 AND PL72SP3651

FIG. 1



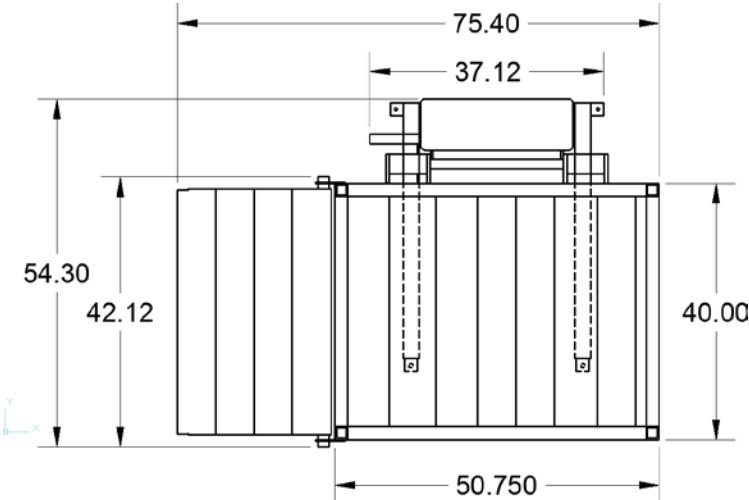
CONCRETE PAD DIMENSIONS (INCHES) FOR: PL52TP3860 and PL72TP3860

FIG. 2



OVERALL VPL DIMENSIONS (INCHES) FOR: PL52SP3651 AND PL72SP3651

FIG. 3



OVERALL VPL DIMENSIONS (INCHES) FOR: PL52TP3860 and PL72TP3860

FIG. 4

