

WD-9500 ELEVATOR

Specifications

MODEL	WD-9500
CAPACITY	950 LBS
SPEED	40 FPM (Nominal)
DRIVE	3 HP GEARMOTOR W/BRAKE, 220VAC, WINDING DRUM
SAFETIES	INSTANTANEOUS TYPE "A" SLACK CABLE
DOOR LOCKS	ELECTROMECHANICAL, HONEYWELL RELIALIGN INTERLOCKS
ELECTRICAL REQUIREMENTS	220VAC 30AMP DEDICATED CIRCUIT FED THROUGH A LOCKABLE FUSEABLE DISCONNECT OR BREAKER(PER NEC) BY OTHERS, LOCATED ADJACENT TO ELEVATOR CONTROLLER
CONTROL SYSTEM	PLC CONTROLLER, VFD MOTOR CONTROL, OPTICAL SENSOR LANDING SYSTEM

GENERAL NOTES

- 1) PLUMB, SQUARE AND LEGAL HOISTWAY BUILT TO MATCH SHOP DRAWINGS, WITH ADEQUATE SUPPORT (BY OTHERS)
- 2) 120VAC, 15 AMP DEDICATED CIRCUIT, FED THROUGH LOCKABLE FUSABLE DISCONNECT REQUIRED FOR CAR LIGHTS (BY OTHERS) LOCATED ADJACENT TO ELEVATOR CONTROLLER
- 3) TELEPHONE LINE (BY OTHERS) LOCATED ADJACENT TO ELEVATOR CONTROLLER
- 4) MANUFACTURED IN COMPLIANCE WITH ASME A17.1.5.3, NATIONAL SAFETY CODE FOR ELEVATORS AND ESCALATORS

PROJECT NAME	MANN RESIDENCE	DEALER NAME	
TRAVEL DISTANCE	121.5"	NUMBER OF LANDINGS	2
OVERHEAD CLEARANCE	108"	LH DOOR LOCKS REQUIRED	2
PIT DEPTH	12"	RH DOOR LOCKS REQUIRED	

CAB HEIGHT

<input type="checkbox"/>	80"
<input type="checkbox"/>	84"
<input type="checkbox"/>	95"

CAB DESIGN

<input type="checkbox"/>	STANDARD FLAT WALLS
<input type="checkbox"/>	SHAKER STYLE
<input type="checkbox"/>	RAISED MOLDING

ACCORDION GATE

<input type="checkbox"/>	CLEAR PANELS WITH NATURAL ALUMINUM FRAME (STANDARD)
<input type="checkbox"/>	OTHER _____ (MAY INCREASE LEAD TIME)

CAB MATERIAL

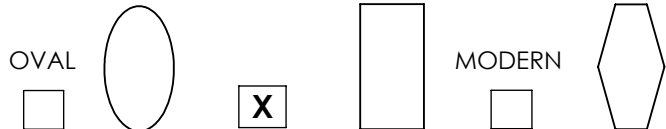
<input type="checkbox"/>	BIRCH (STANDARD)
<input type="checkbox"/>	OAK
<input type="checkbox"/>	MAPLE
<input type="checkbox"/>	MAHOGANY
<input type="checkbox"/>	CHERRY

CAB FINISH

<input type="checkbox"/>	UNFINISHED
<input type="checkbox"/>	CLEARCOAT

FIXTURES

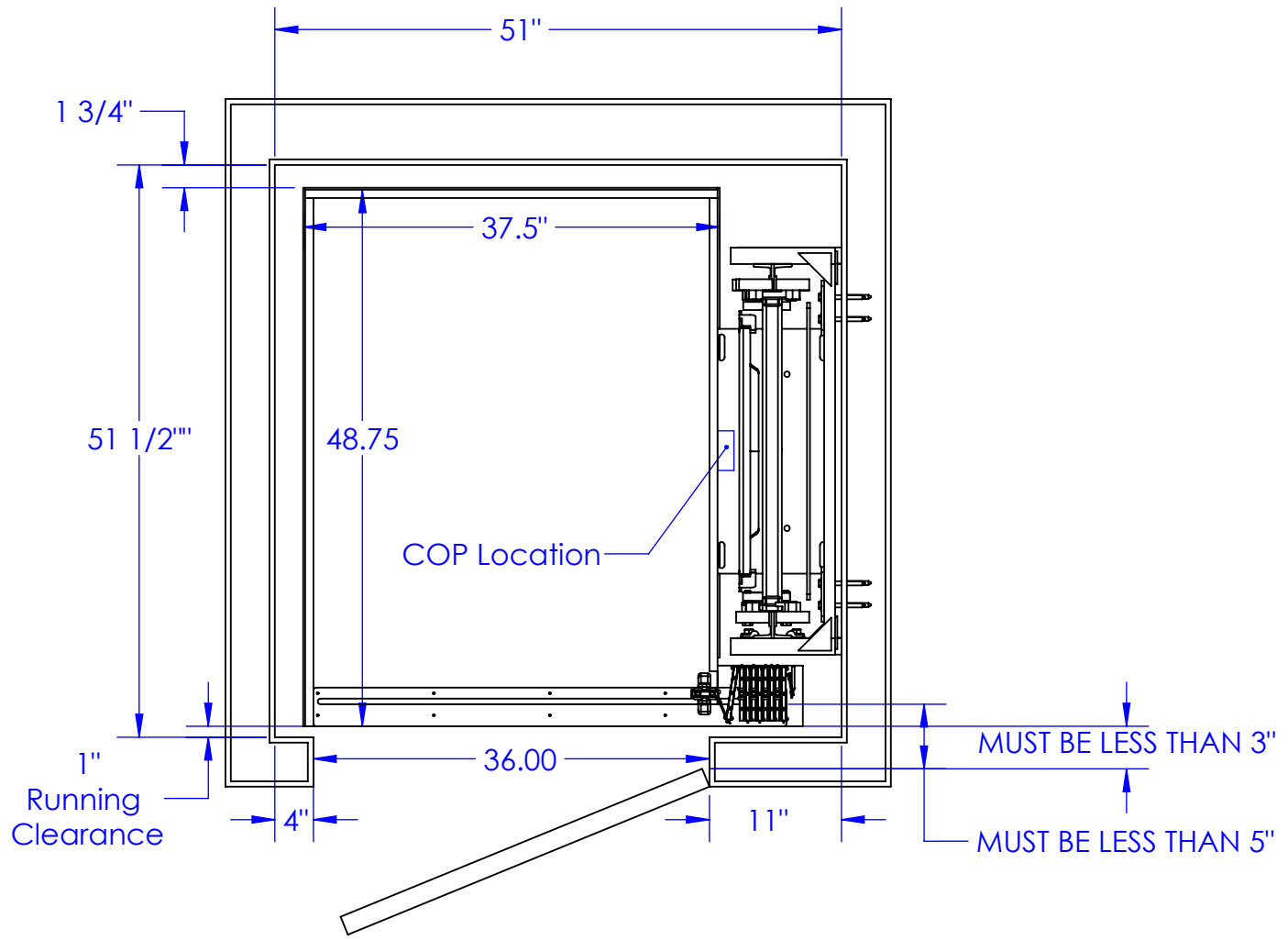
<input type="checkbox"/>	STAINLESS STEEL (STANDARD)
<input type="checkbox"/>	OTHER _____ (MAY INCREASE LEAD TIME)



ADDITIONAL FEATURES

	DO NOT SCALE DRAWING		NAME	DATE	PROJECT NAME		
	APPROVAL STATUS:	PROPRIETARY AND CONFIDENTIAL			PROJECT LOCATION		
	<input type="checkbox"/> APPROVED	THE INFORMATION CONTAINED IN THIS DRAWING IS THE SOLE PROPERTY OF PRECISION LIFT INDUSTRIES, LLC. ANY REPRODUCTION IN PART OR AS A WHOLE WITHOUT THE WRITTEN PERMISSION OF PRECISION LIFT INDUSTRIES, LLC IS PROHIBITED.			COMMENTS:		
	<input type="checkbox"/> APPROVED AS NOTED				SIZE A	DWG. NO.	REV.
	<input type="checkbox"/> REVISE AND RESUBMIT				SCALE 1:16		
SIGNATURE	SHEET 1 OF 8						

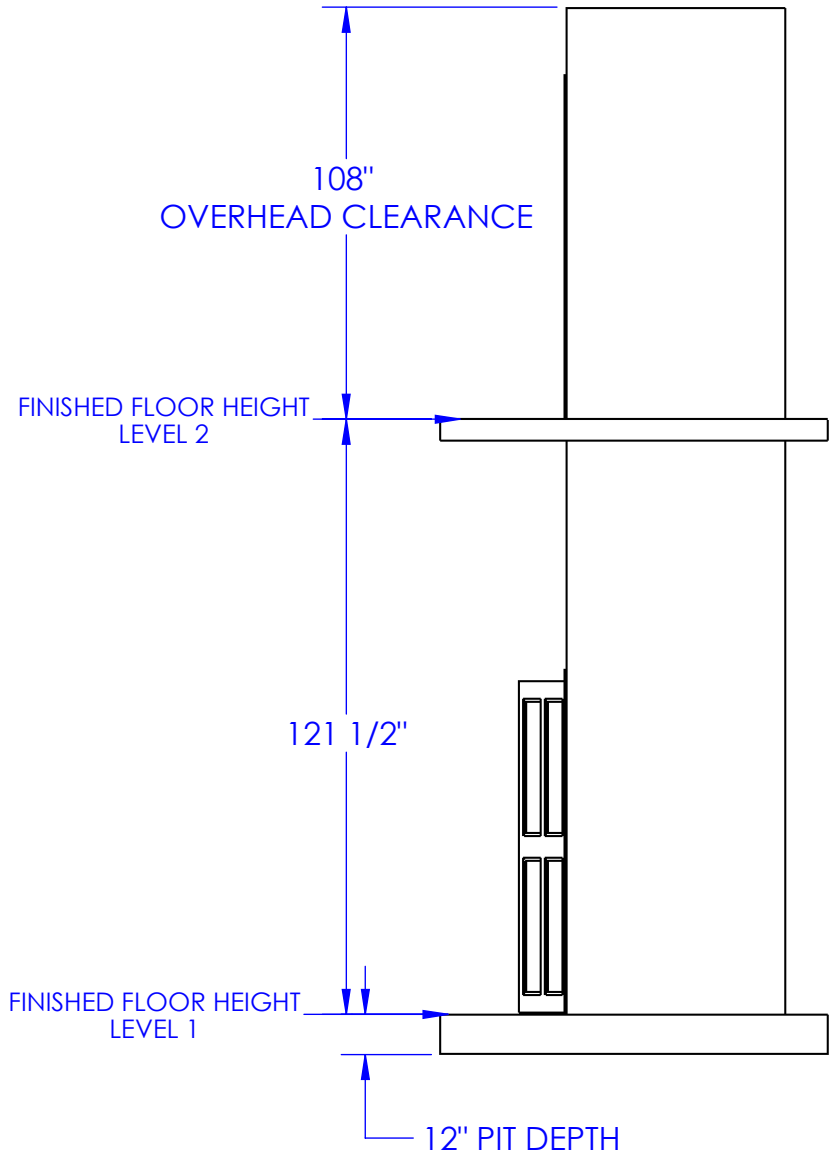
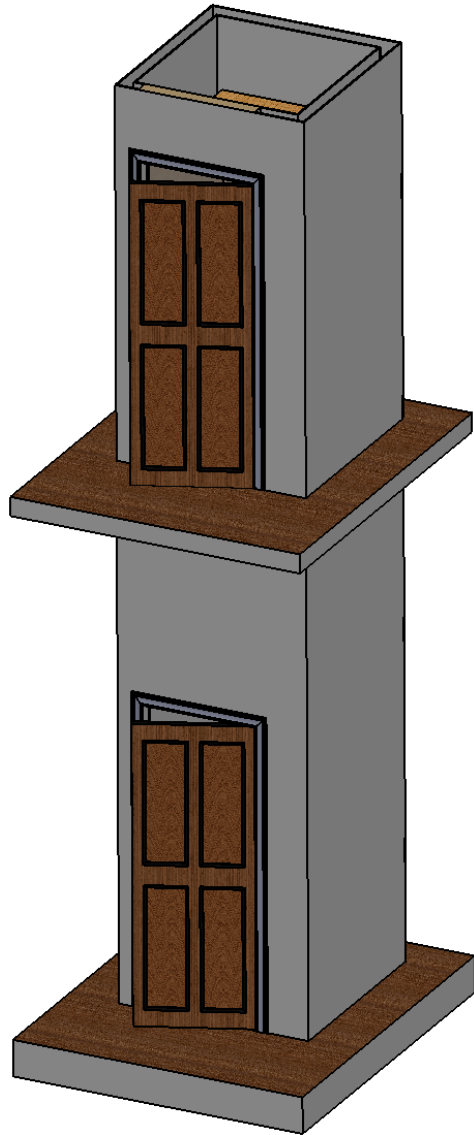
PLATFORM WIDTH NOT TO EXCEED 3'-6"
 CLEAR INSIDE CAB SIZE
 NOT TO EXCEED 15 FT²



DO NOT SCALE DRAWING	DRAWN	NAME	DATE	PROJECT NAME	
	PROPRIETARY AND CONFIDENTIAL			PROJECT LOCATION	
	APPROVAL STATUS: <input type="checkbox"/> APPROVED <input type="checkbox"/> APPROVED AS NOTED <input type="checkbox"/> REVISE AND RESUBMIT				COMMENTS:
	SIGNATURE			SIZE A DWG. NO. _____ REV. _____ SCALE 1:16 SHEET 2 OF 8	

THE INFORMATION CONTAINED IN THIS DRAWING IS THE SOLE PROPERTY OF PRECISION LIFT INDUSTRIES, LLC. ANY REPRODUCTION IN PART OR AS A WHOLE WITHOUT THE WRITTEN PERMISSION OF PRECISION LIFT INDUSTRIES, LLC IS PROHIBITED.

PLATFORM WIDTH NOT TO EXCEED 3'-6"
 CLEAR INSIDE CAB SIZE
 NOT TO EXCEED 15 FT²

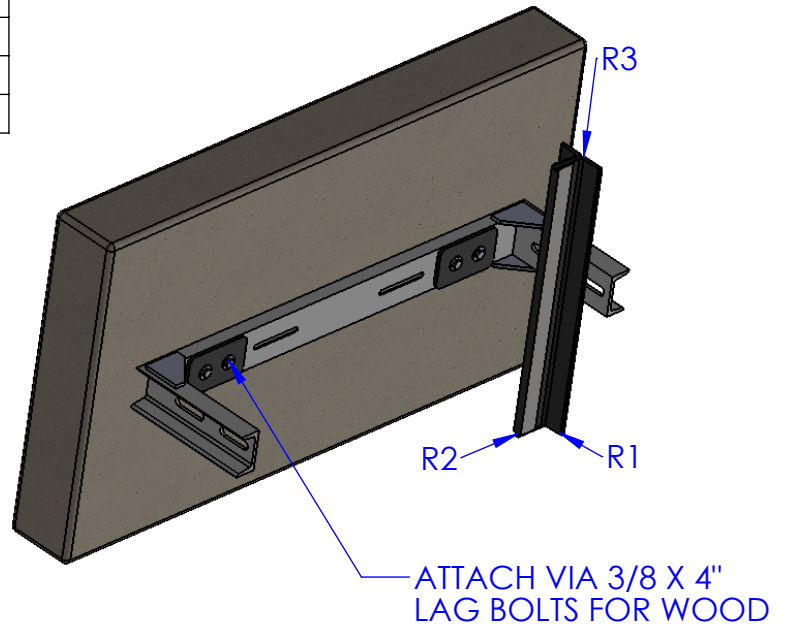


DO NOT SCALE DRAWING	DRAWN	NAME	DATE	PROJECT NAME	
	PROPRIETARY AND CONFIDENTIAL			PROJECT LOCATION	
	APPROVAL STATUS: <input type="checkbox"/> APPROVED <input type="checkbox"/> APPROVED AS NOTED <input type="checkbox"/> REVISE AND RESUBMIT			COMMENTS: 	
	SIGNATURE				
			SCALE 1:16	SHEET 3 OF 8	

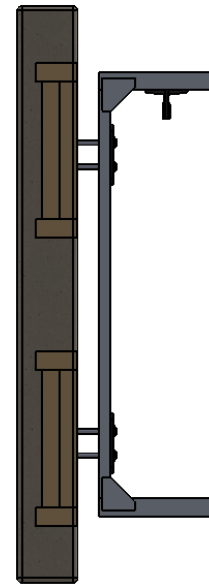
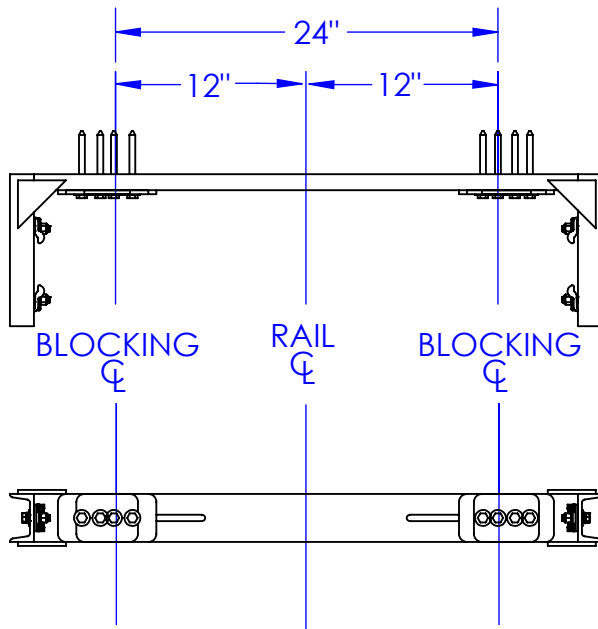
THE INFORMATION CONTAINED IN THIS DRAWING IS THE SOLE PROPERTY OF PRECISION LIFT INDUSTRIES, LLC. ANY REPRODUCTION IN PART OR AS A WHOLE WITHOUT THE WRITTEN PERMISSION OF PRECISION LIFT INDUSTRIES, LLC IS PROHIBITED.

PLATFORM WIDTH NOT TO EXCEED 3'-6"
 CLEAR INSIDE CAB SIZE
 NOT TO EXCEED 15 FT²

RAIL FORCES	
R1	105 LBS
R2	250 LBS
R3	3750 LBS



STANDARD RAIL BRACKET MOUNTING



RECOMENDED BRACKET SPACING IS 60"



DO NOT SCALE DRAWING	NAME	DATE	PROJECT NAME			
	DRAWN		PROJECT LOCATION			
	PROPRIETARY AND CONFIDENTIAL THE INFORMATION CONTAINED IN THIS DRAWING IS THE SOLE PROPERTY OF PRECISION LIFT INDUSTRIES, LLC. ANY REPRODUCTION IN PART OR AS A WHOLE WITHOUT THE WRITTEN PERMISSION OF PRECISION LIFT INDUSTRIES, LLC IS PROHIBITED.		COMMENTS:			
			<table border="1" style="width: 100%;"> <tr> <td>SIZE</td> <td>DWG. NO.</td> <td>REV.</td> </tr> <tr> <td style="text-align: center;">A</td> <td></td> <td></td> </tr> </table>	SIZE	DWG. NO.	REV.
SIZE	DWG. NO.	REV.				
A						
APPROVAL STATUS:						
SIGNATURE						
APPROVED						
APPROVED AS NOTED						
REVISE AND RESUBMIT						
SCALE 1:16		SHEET 4 OF 8				